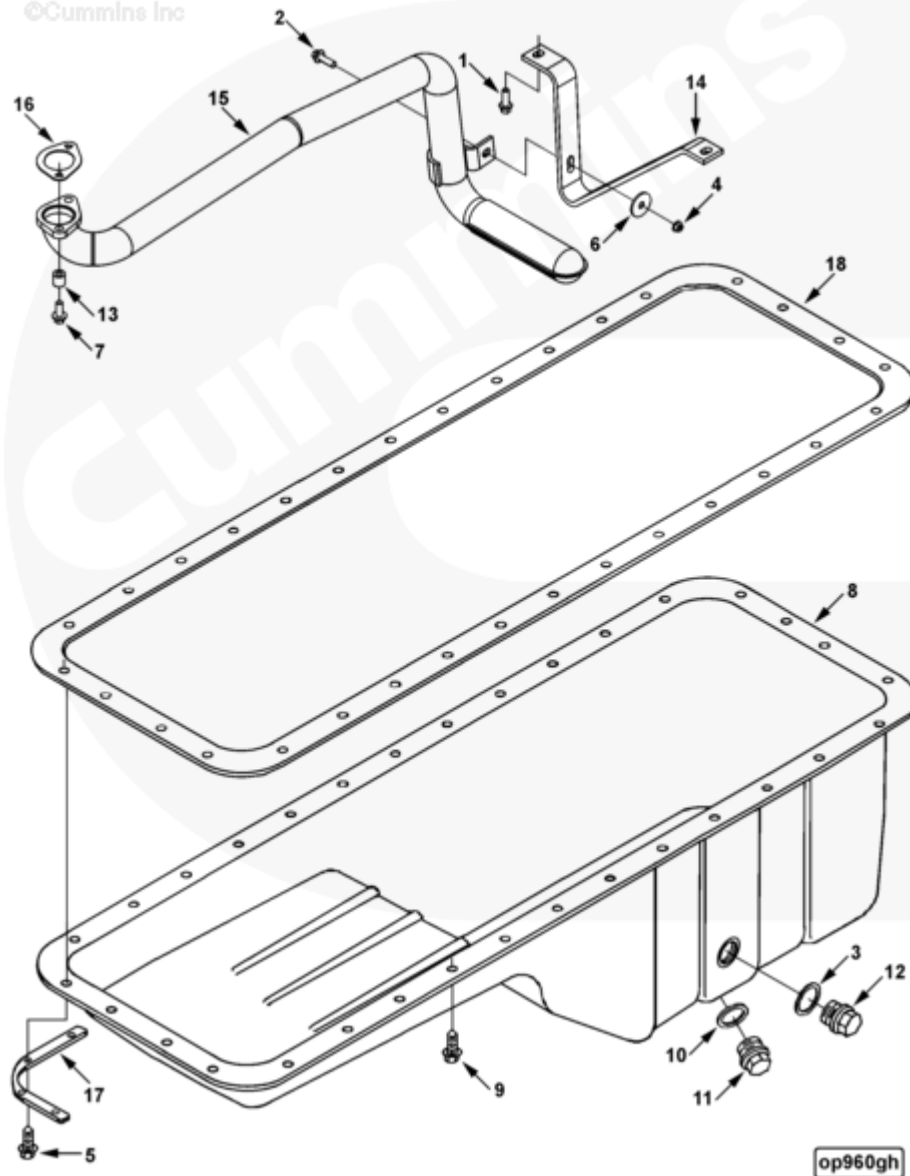




## Parts Catalog - Option Detail

| Electronic Parts Catalog - Option Detail |  |         |           |           |
|--|--|---------|-----------|-----------|
| Option                                   | Group  | Graphic | Film Card | Date      |
| OP9023-09                                | 07.01  | op960gh | Z         | 10-FEB-04 |
| <b>Engines</b>                           | 6C8.3, C GAS PLUS CM556, G8.3, G8.3 CM558, GTA8.3 CM558, ISC CM2150, ISC CM554, ISC CM850, ISC8.3 CM2250, ISC8.3 G CM2180 C101, ISL CM2150, ISL CM554, ISL CM850, ISL G CM2180, ISL8.9 CM2150 L110, ISL8.9 CM2880 L112, ISL9 CM2150 SN, ISL9 CM2250, ISL9 CM2350 L101, ISL9 CM2350 L111, ISLE4 CM850, L GAS PLUS CM556, L8.9, L8.9 L121, L8.9G CMOH2.0 L125B, L9 CM2350 L116B, L9 CM2350 L119B, L9 CM2350 L120C, L9 CM2350 L123B, L9.3 L105, L9.5 L117, L9N CM2380 L124B, QSC8.3 CM2250, QSC8.3 CM2880 C102, QSC8.3 CM554, QSC8.3 CM850(CM2850), QSL9 CM2250, QSL9 CM2250 L115, QSL9 CM2350 L102, QSL9 CM2350 L107, QSL9 CM2350 L118, QSL9 CM2350 L122, QSL9 CM554, QSL9 CM850(CM2850), QSL9 G CM558, QSL9 M CM2250 L106, QSL9.3 CM2880 L113 |         |           |           |



SMALL | MEDIUM | LARGE

| Cart                         | Ref No | Part Number               | Part Description              | Required | Remarks                                |
|------------------------------|--------|---------------------------|-------------------------------|----------|--|
| <a href="#">View My Cart</a> |        |                           |                               |          |  |
|                              |        | <a href="#">OP9023-09</a> | Oil Pan                       |          | <a href="#">MR - PAN, OIL...(More)</a> |
|                              |        |                           |                               |          | Family: C Series                       |
|                              |        |                           |                               |          | Cylinders: 6                           |
|                              |        |                           |                               |          | Sump Style: Standard                   |
|                              |        |                           |                               |          | Sump Location: Front                   |
|                              |        |                           |                               |          | Oil Pan Material: Stamped              |
|                              |        |                           |                               |          | Steel                                  |
|                              |        |                           |                               |          | Drain Location: Fuel Pump              |
|                              |        |                           |                               |          | side                                   |
|                              |        |                           |                               |          | Pan High Capacity (qt): 20             |
|                              |        |                           |                               |          | Pan Low Capacity (qt): 16              |
|                              |        |                           |                               |          | Front Up Angularity (deg):             |
|                              |        |                           |                               |          | To Be Determined                       |
|                              |        |                           |                               |          | Front Down Angularity (deg):           |
|                              |        |                           |                               |          | To Be Determined                       |
|                              |        |                           |                               |          | Side To Side Angularity                |
|                              |        |                           |                               |          | (deg): To Be Determined                |
|                              |        |                           |                               |          | Heater Boss Size & Location:           |
|                              |        |                           |                               |          | 22mm Fuel Pump                         |
|                              |        |                           |                               |          | Washer 3910960 must be                 |
|                              |        |                           |                               |          | assembled between fastener             |
|                              |        |                           |                               |          | bearing surface and brace              |
|                              |        |                           |                               |          | 3927611.                               |
|                              |        |                           |                               |          | DEP may use 3282266 plug in            |
|                              |        |                           |                               |          | place of 3924148 plug.                 |
|                              |        |                           |                               |          |  |
| <input type="checkbox"/>     | 1      | <a href="#">3913638</a>   | Hexagon Flange Head Cap Screw | 2        | M6 X 1.00 X 16.                        |
| <input type="checkbox"/>     | 2      | <a href="#">3901865</a>   | Hexagon Flange Head Cap Screw | 1        | M6 X 1.00 X 20.                        |

|                          |    |                         |                               |    |                     |
|--------------------------|----|-------------------------|-------------------------------|----|---------------------|
| <input type="checkbox"/> | 3  | <a href="#">3902425</a> | Sealing Washer                | 1  | M22                 |
| <input type="checkbox"/> | 4  | <a href="#">3906216</a> | Hexagon Flange Nut            | 1  | M6 X 1.00.          |
| <input type="checkbox"/> | 5  | <a href="#">3907860</a> | Hexagon Flange Head Cap Screw | 16 | M8 x 1.25 x 25      |
| <input type="checkbox"/> | 6  | <a href="#">3910960</a> | Plain Washer                  | 1  | M6                  |
| <input type="checkbox"/> | 7  | <a href="#">3900628</a> | Hexagon Flange Head Cap Screw | 2  | M6 X 1.00 X 30.     |
| <input type="checkbox"/> | 8  | <a href="#">3352546</a> | Oil Pan                       | 1  |                     |
| <input type="checkbox"/> | 9  | <a href="#">3920400</a> | Hexagon Flange Head Cap Screw | 16 | M8 x 1.25 x 21      |
| <input type="checkbox"/> | 10 | <a href="#">3920773</a> | Sealing Washer                | 1  | M18                 |
| <input type="checkbox"/> | 11 | <a href="#">3924147</a> | Threaded Plug                 | 1  | M18 x 1.50 x 12     |
| <input type="checkbox"/> | 12 | <a href="#">3924148</a> | Threaded Plug                 | 1  | M22 x 1.50 x 14     |
| <input type="checkbox"/> | 13 | <a href="#">3926865</a> | Mounting Spacer               | 2  |                     |
| <input type="checkbox"/> | 14 | <a href="#">3927611</a> | Tube Brace                    | 1  |                     |
| <input type="checkbox"/> | 15 | <a href="#">3910787</a> | Oil Suction Connection        | 1  |                     |
| <input type="checkbox"/> | 16 | <a href="#">3939352</a> | Oil Suction Connection Gasket | 1  |                     |
| <input type="checkbox"/> | 17 | <a href="#">3965800</a> | Clamping Plate                | 4  |                     |
| <input type="checkbox"/> | 18 | <a href="#">3938160</a> | Oil Pan Gasket                | 1  | Refer To TSB050014. |